



## **Installation Instructions**

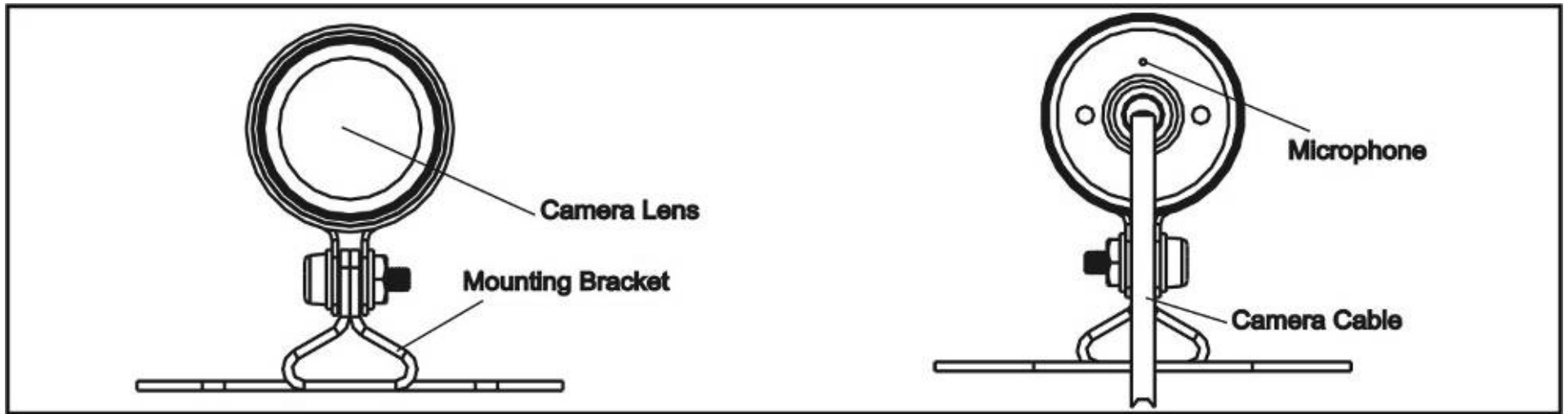
**Model: MV-1404MAM2-A**

### **FEATURES:**

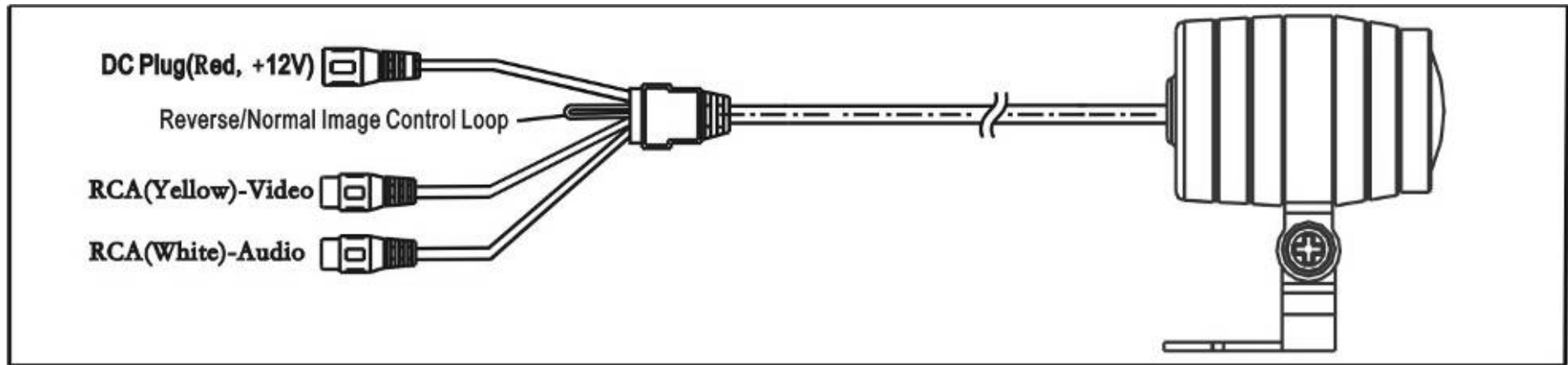
- High Resolution, 1/4" CMOS Color Camera
- Compact Metal Die Cast Body
- Waterproof Housing
- Waterproof Microphone
- Adjustable Mounting Angle
- Wide Angle Lens: Diagonal 140 Degree
- Selectable Normal or Reverse Image
- Include L/D Circuit



## Camera View:



## Cable Connector End View:



## Specification:

1. Voltage: DC12V
2. Operation Current: 50mA
3. Signal System: NTSC
4. Image sensor: 1/4" CMOS Sensor
5. Horizontal Resolution: 420 TV Lines

6. Viewing Angle: 140 degrees

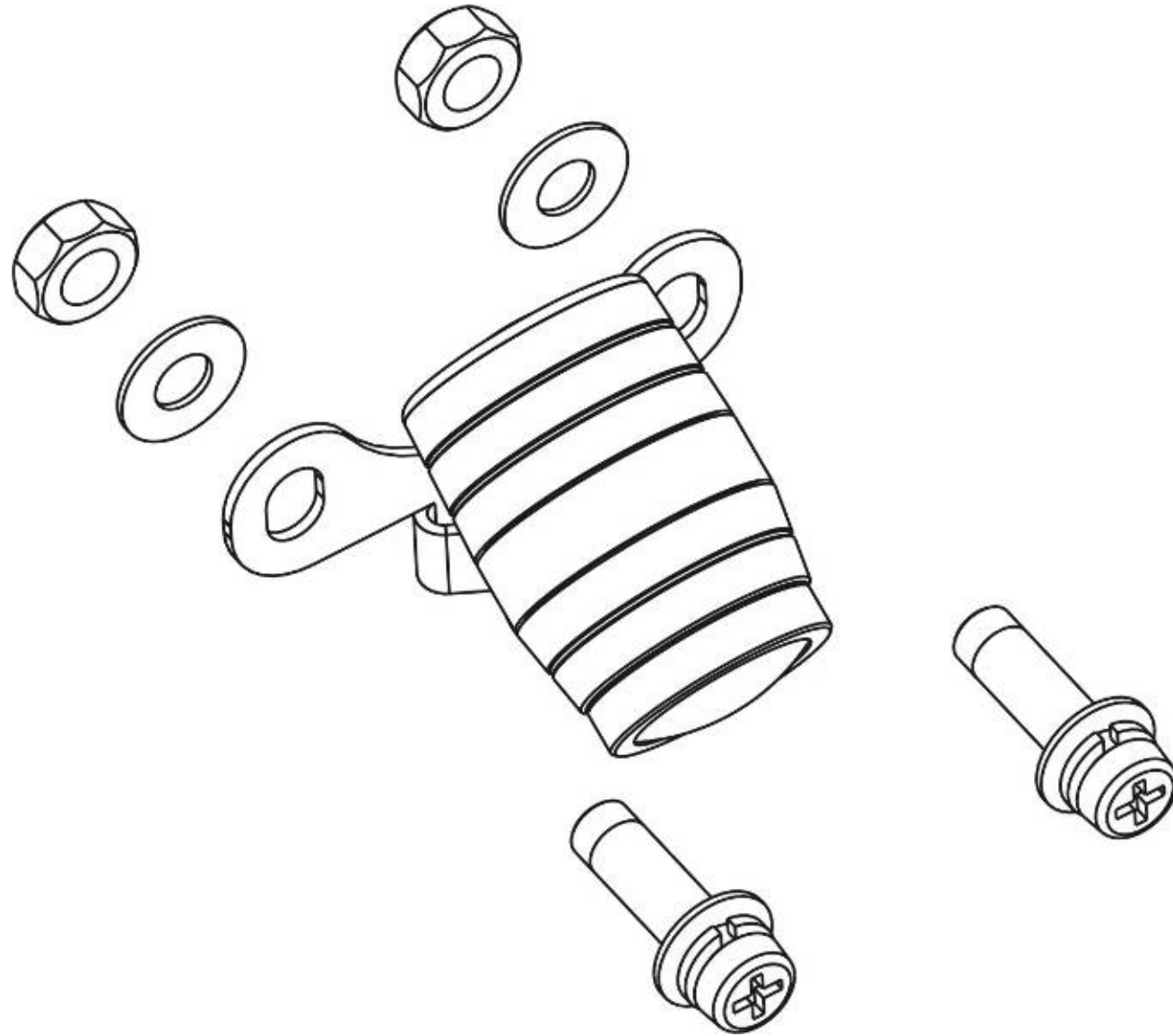
7. Minimum Illumination: 0.3 Lux

8. Image Display: Normal Image or Reverse Image

9. Ordinary Brightness Camera

10. Camera Outer Dimensions: 17.5( $\Phi$ ) X24(H) mm

**Camera Installation:**



**Installation:**

- 1、 Select a suitable mounting location on or up of vehicle license plate.
- 2、 Use the camera mounting bracket as a template to mark the mounting hole.
- 3、 Use a special aiguilles drill two  $\Phi 3\text{mm}$  holes, and the holes' horizontal distance is 27mm as the camera's installation hole, Caution before drilling check behind area to be drilled to insure no wires or mechanisms interfere or could be damaged during drilling.
- 4、 Attach the camera-mounting bracket to the vehicle with the lens shroud on topside. If lens shroud is on the bottom, then the camera must be removed from the bracket and turned 180 degrees and then reattached to the bracket.
- 5、 Drill a  $\Phi 3\text{mm}$  hole on the mid of the mounting holes. Be sure to check behind intended drilling location before drilling to insure no wires or mechanisms interfere or could be damaged during drilling. Check for interference with license plate lights, hatch release switch and/or mechanism. Coat edge of hole with rust preventative. Route the camera cable connector through into hole.
- 6、 Wiring the Camera cable to the vehicle reverse lamp.

- a) Locate the reverse lamp in the tail light;  
The red DC plug of the camera connected to the DC plug of supplied and the DC plug other side (red and black wires) connected to the reverse lamp.
- b) Yellow RCA-connect to Video input
- c) White RCA- connect to Audio input
- d) Reverse/Normal Image loop: The blue loop is located at the camera cable connector with blue loop installed in the harness; the camera image is pre-wired for normal image. If mounting camera on the front of the vehicle cut the blue wire loop to change the camera image to reverse, tape the cut wires with electrical tape.



[www.mediaviewtech.com](http://www.mediaviewtech.com)

---

© MediaView Technologies Corporation